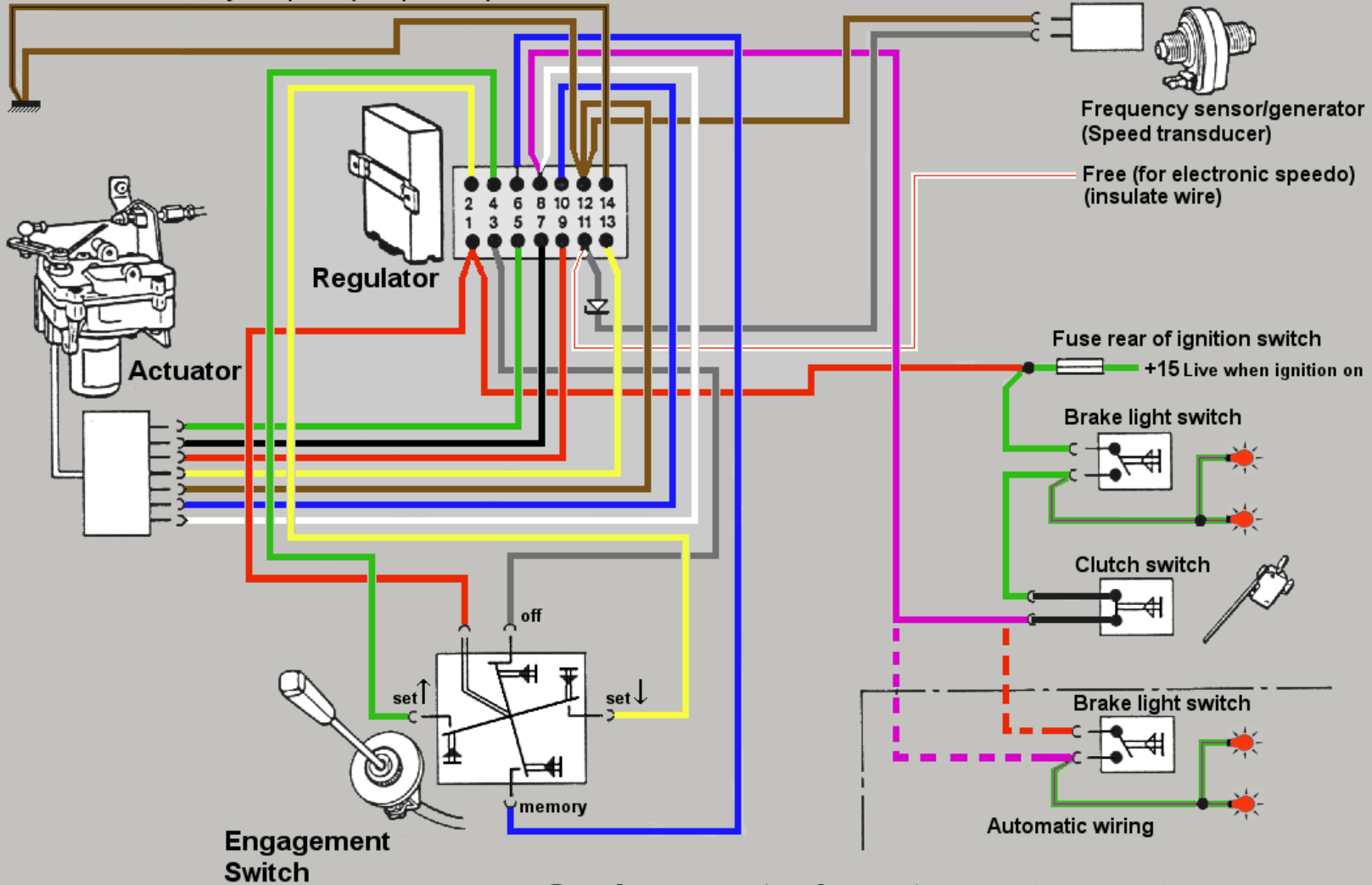


Connect to earth - only if required (see point 11)



Cruise control system

VDO tempostat® Wiring Diagram for Use with Mechanical Speedometers
If continuous voltage acts on brake-light switch (via terminal 30 or equivalent), note diagram on page 22.